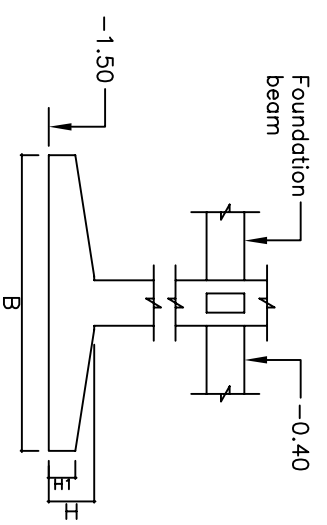


COLUMN PADS					
COLUMN PAD No.	B	H1	H	H	REINFORCEMENT DISTRIBUTION
J1	2000	100	350		Ø12. @150
J2	2400	150	400		Ø12. @150
J3	3600	350	600		Ø16. @150
J4	2700	200	450		Ø14. @150
J5	1500	50	300		Ø12. @200
J6	1000	0	250		Ø12. @200
J11	3900	350	600		Ø16. @150



COLUMNS				
COLUMN No.	b x h	LONGITUDINAL REBAR	HOOP REINFORCEMENT	
KZ1	500x500	Ø12 - 22	Ø8 - 100/200	
KZ2	600x600	Ø16 - 25	Ø8 - 100/200	
KZ3	500x500	Ø12 - 22	Ø8 - 100/200	
KZ4	500x500	Ø12 - 22	Ø8 - 100/200	



Image 1- Front entrance next to front stairs on to ground floor



Image 2- Directly after the entrance



No.	Date	REVISION	BY

CLIENT: **MINISTRY of JUSTICE**
 PROJECT: **PASSENGER LIFT**
 LOCATION: **As Built Foundation Plan for Proposed Lift Location**

SUPERVED BY: _____
 DESIGNER: **Compilid** CHECKED BY: _____
 JOB NO: _____ DRAWN BY: **B. FARABICI**
 SCALE: 1:150 DATE: 20/05/2022
 DWG No: _____

SHEET No: **1 of 1**

